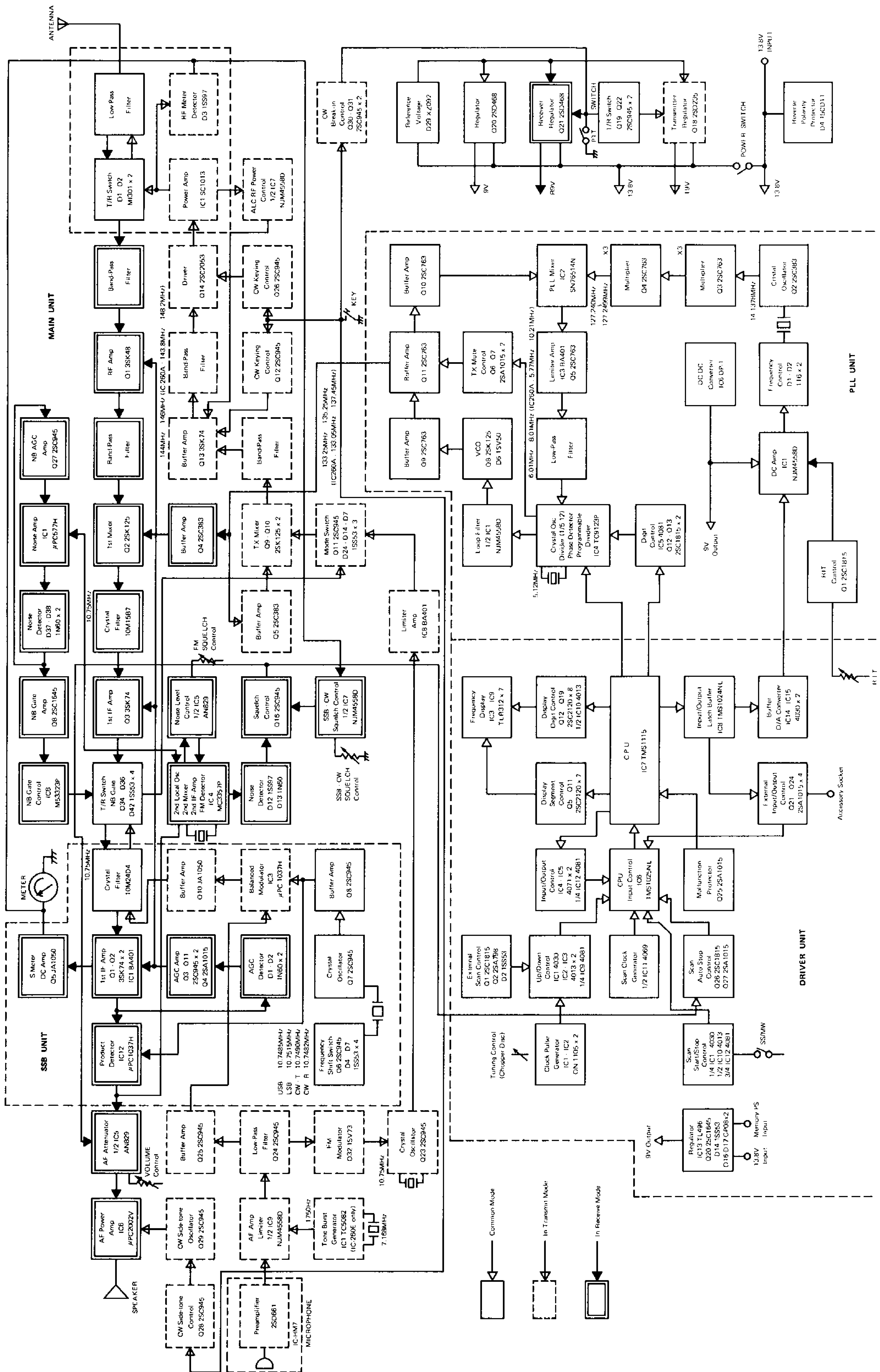
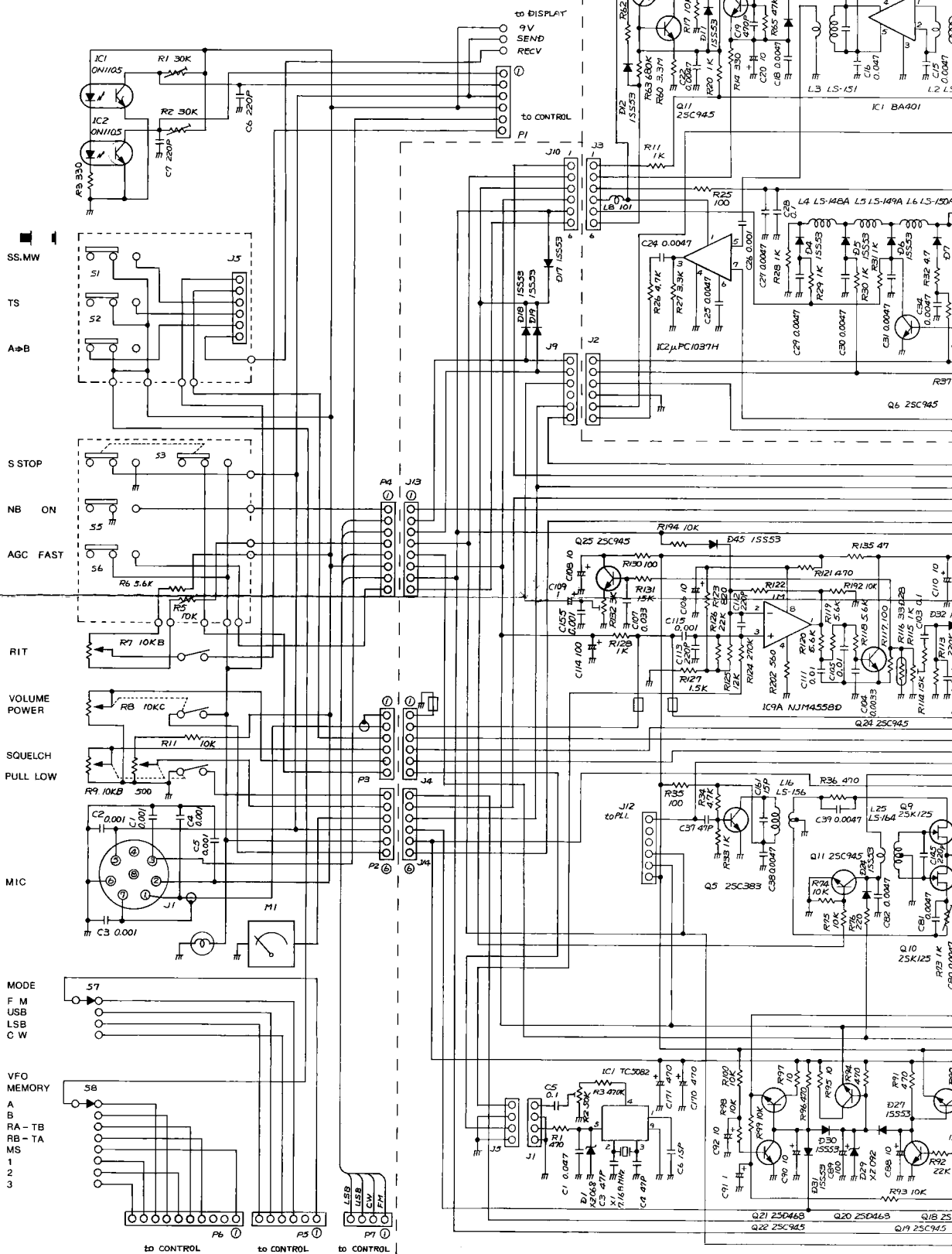


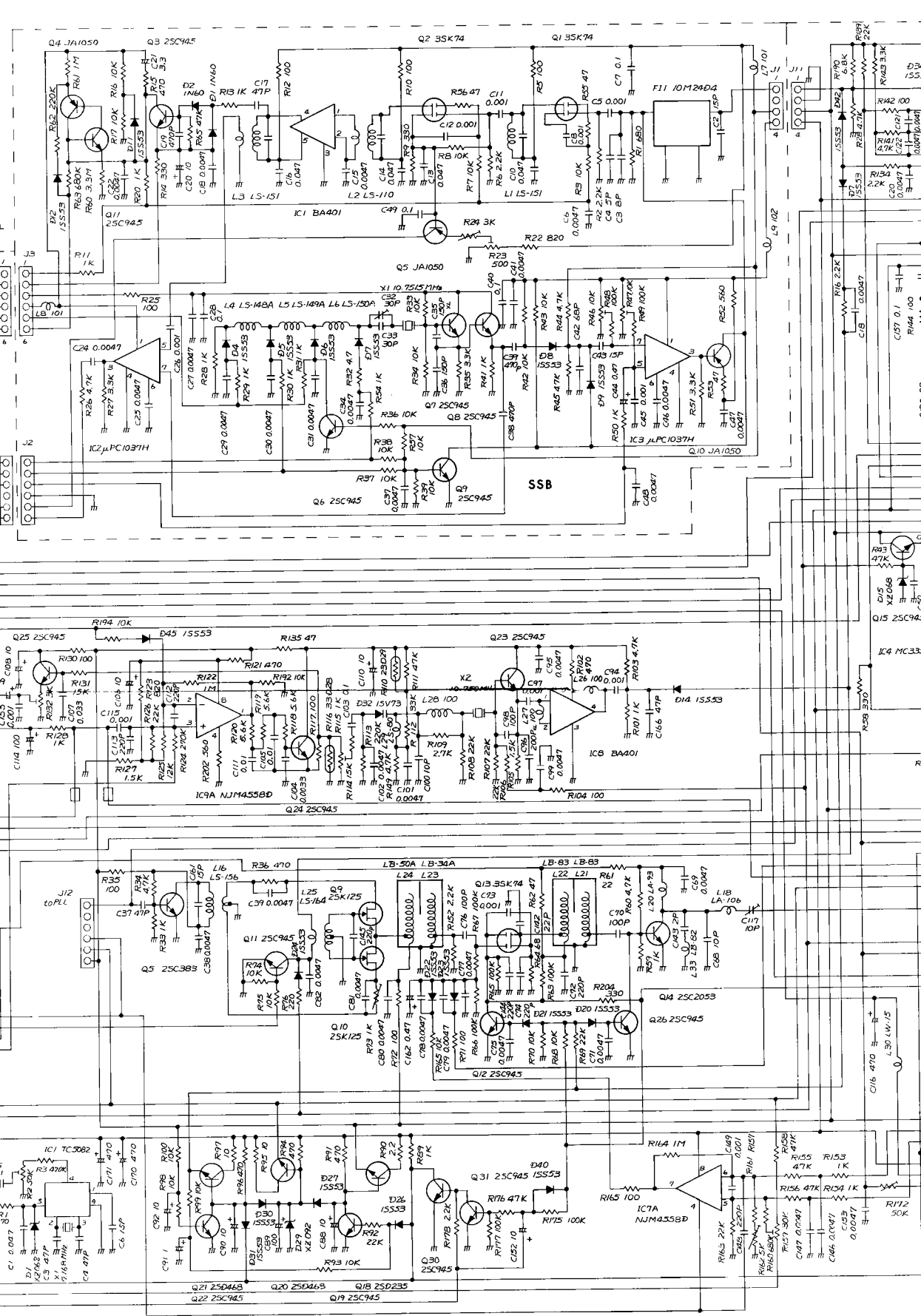
# SECTION IX BLOCK DIAGRAM

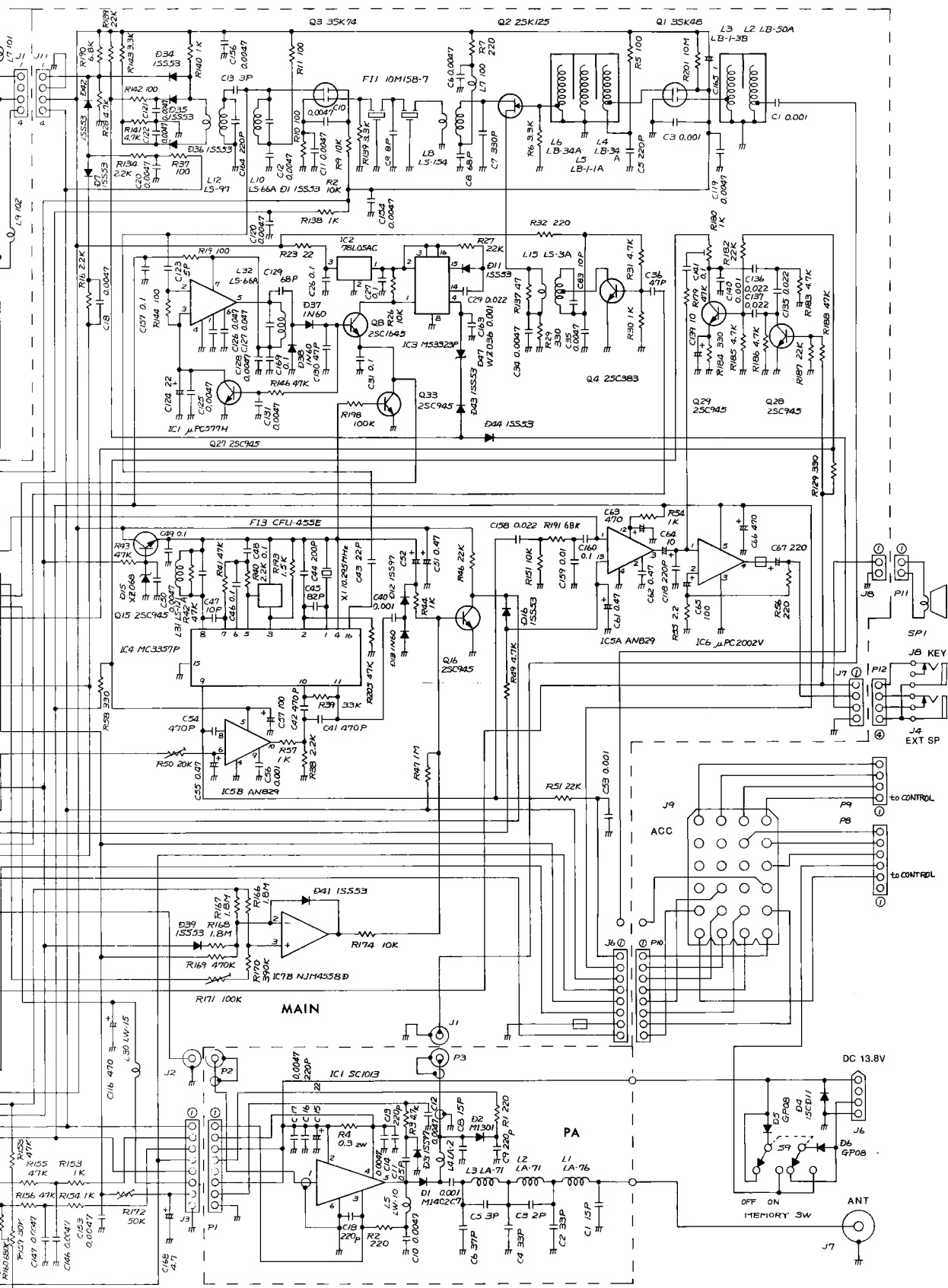


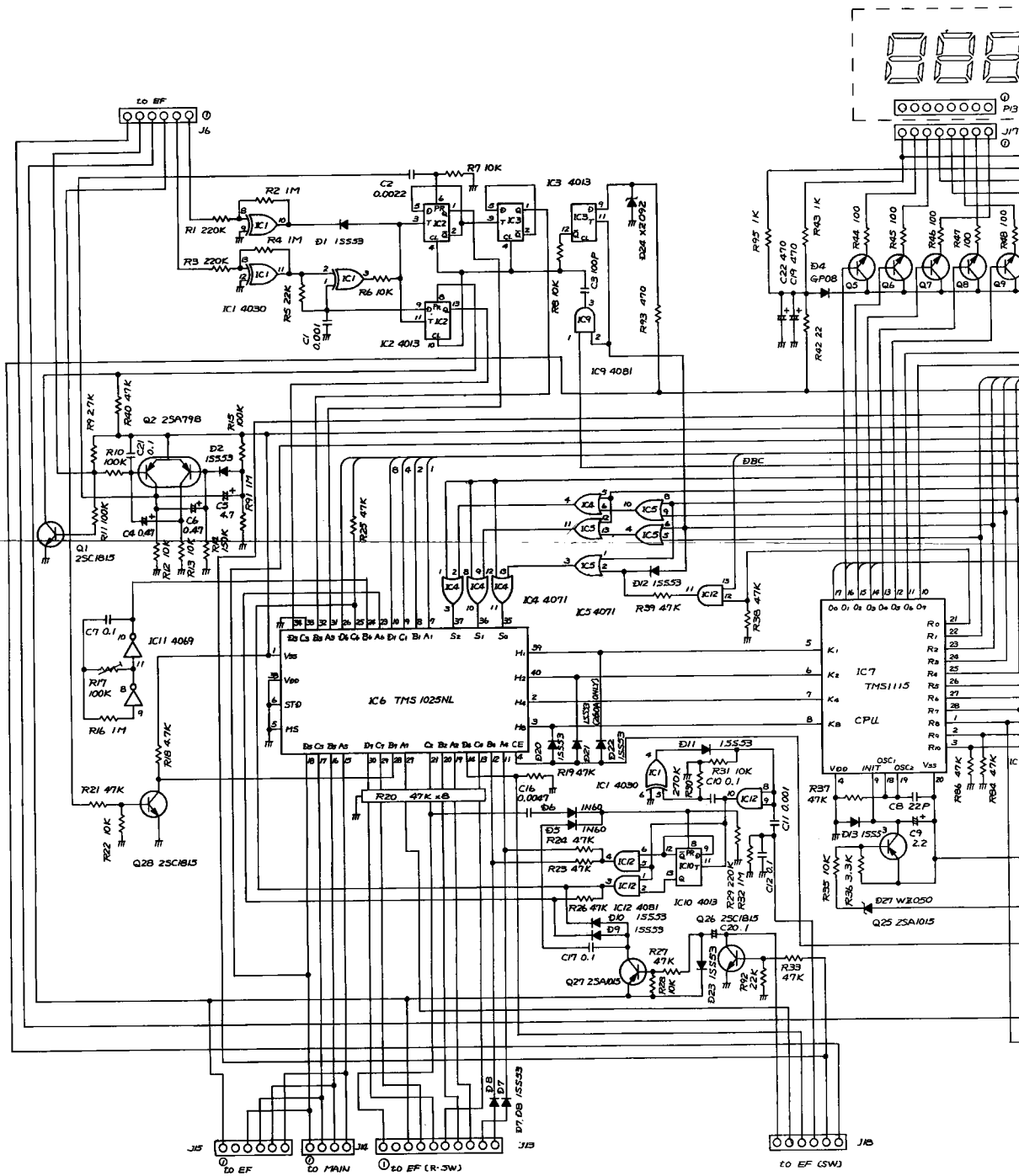
# IC-260A/E

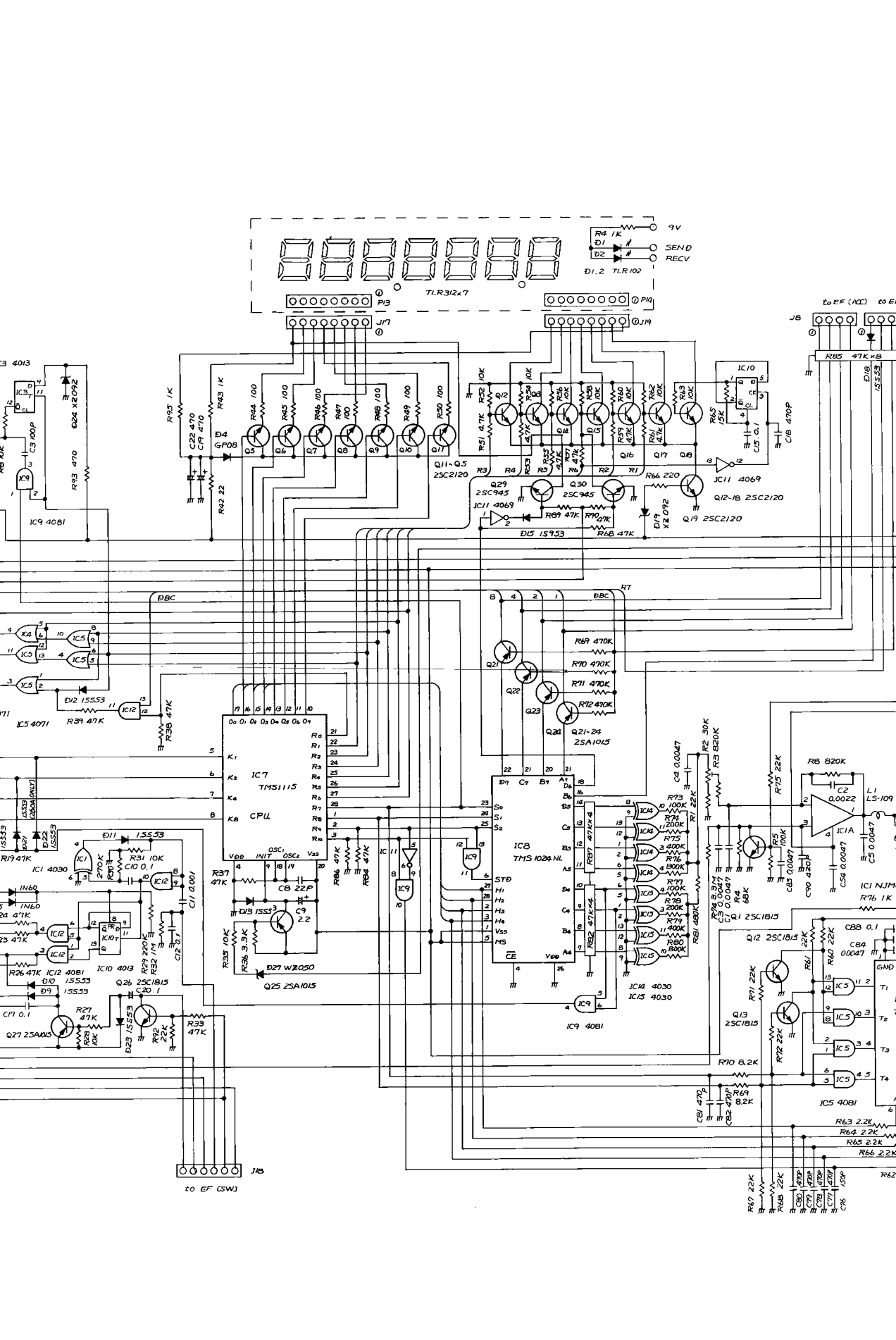
## SCHEMATIC DIAGRAM

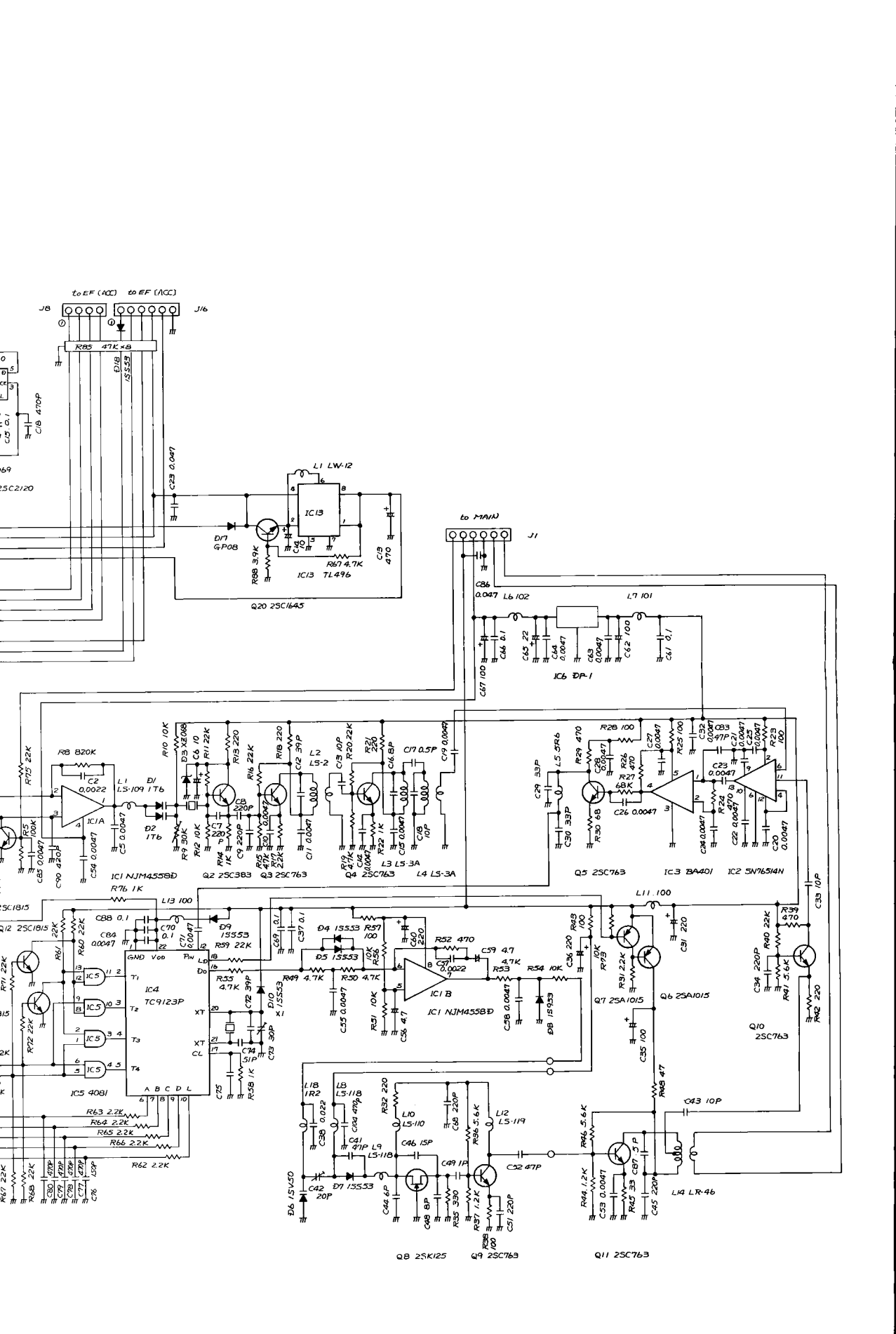












Q8 25K125

Q9 25C763

Q11 25C763